

Is charisma a social skill?

CHARISMA 31 POWERFUL WAYS TO ATTRACT INFLUENCE PEOPLE USING COMMUNICATION SKILLS SOCIAL SKILLS PEOPLE SKILLS CONVERSATIONAL SKILLS SOCIAL SKILLS LIKEABILITY CHARISMATIC



Download PDF file :

[charisma+31+powerful+ways+to+attract+influence+people+using+communication+skills+social+skills+people+](#)

FAQs about CHARISMA 31 POWERFUL WAYS TO ATTRACT INFLUENCE PEOPLE USING COMMUNICATION SKILLS SOCIAL SKILLS PEOPLE SKILLS CONVERSATIONAL SKILLS SOCIAL SKILLS LIKEABILITY CHARISMATIC

Is charisma a social skill? You don't show up and spew charisma as a solo act. It's actually a social skill, which like many others is learned.

Is charisma a communication skill? Charisma is a personal quality, evident in the way an individual communicates to others, that makes someone more influential. This power to attract attention and influence people can be embodied in the way someone speaks, what someone says, and how someone looks when communicating.

What is the dark side of charisma? Charismatic leaders, with their potential dark side traits of narcissism, Machiavellianism, and psychopathy, can thus take advantage of complex social exchanges they conduct with their followers, which may have consequences to both parties.

Is charisma a narcissist? At face value, the traits appear to have significant overlap; many charismatic and narcissistic people share similar qualities, as they both are often outgoing, magnetic, visionary and well-spoken. However, when you look under the hood, you'll find charisma and narcissism have totally different engines.

Why is charisma so powerful? Emotional Contagion: Charismatic individuals often exhibit a range of emotions, expressiveness, and passion, which can trigger similar emotions in those around them. Emotional contagion, facilitated by the brain's limbic system, leads to the transmission of emotions from one person to another.

How do you tell if you are charismatic?

Is charisma a rare trait? The word charisma refers to a rare trait found in certain human personalities usually including extreme charm and a "magnetic" quality of personality or appearance along with innate and powerfully sophisticated personal communicability and persuasiveness; in short, charisma is often used to describe a seemingly uncanny ...

What is the secret to charisma? Some researchers say charisma comes down to your affability (emotional approachability) and your influence (your ability to move or motivate others). Other people are likely to see you as charismatic if you smile often, look them in the eye, communicate with your hands, and say their name frequently.

Can bad people be charismatic? Psychopathic individuals are not always charismatic or vice versa, but Welsh found there is an overlap in people. This means charismatic people with psychopathy tendencies were more likely to avoid detection and punishment for their poor behavior.

What race is good for charisma? Durable and charismatic, half-elves are a promising choice for any Charisma-based warlord.

What is the scariest type of narcissist? Beyond the desire to focus primarily on themselves and be held in high regard by virtually everyone in their lives, people with malignant narcissism tend to have a darker side to their self-absorption. These individuals can be highly manipulative and don't care who they hurt as long as they get their own way.

Which zodiac has charisma? Charisma is inherent in certain zodiac signs, particularly Leo, Libra, and Sagittarius. Leos naturally exude confidence and warmth, Libras excel in social finesse and diplomacy, while Sagittarians are magnetic with their adventurous spirit and optimism.

Who can tolerate a narcissist? One points out that the people most likely to tolerate narcissistic people are other narcissistic people. People with a surplus of self-confidence and grandiosity tend to attract other confident, ambitious people.

Why is charisma so attractive?

Is charisma related to IQ? As it turned out, IQ itself wasn't predictive of charisma once we controlled for speed. Your ability to respond quickly was much more important for charisma than your IQ was.

Is charisma a gift or a skill? As to whether charisma is a "gift," because researchers can study charisma scientifically, measure and train it, and because computer programs can now identify how well people use rhetorical skills and body language, Antonakis deems it more of a learnable (rather than divine) kind of gift.

How to have a charismatic aura? In order to develop more charisma you must work on improving your voice and how it comes across in social situations. Practice expressing yourself clearly, vary your speech and tonality, and use emotional words that draw people into your conversation.

What is the most charismatic personality type? ENFJ types are so kind and charismatic that it's easy to imagine them at the center of any story. They're opinionated and not afraid to speak out, and tend to focus on the people in their lives rather than big ideas or issues.

Is it better to be charming or charismatic? Charm is a quality that makes someone attractive. It is most commonly associated with someone's friendliness, personality or wit. Charisma is a more powerful force. It is a quality that makes someone seem larger than life, magnetic & inspiring.

How do I tell if I'm charismatic? It's about authenticity, empathy, and connection. The most charismatic people are those who make others feel seen, heard, and valued. They encourage, inspire, and show genuine care. They're not afraid to be themselves and express their emotions.

Is charisma a gift from God? The term is the plural form for the Greek charisma, "gift of grace." In a Christian context, it refers to divine gifts that enable the believer to fulfill his or her vocation. These gifts may be understood as outward signs of grace received through faith.

Is charisma born or learned? Because charisma is a collection of behaviors, you can learn it. Work on developing empathy, self-confidence and assertiveness.

What is considered a social skill? What are social skills? Social skills are the skills we use everyday to interact and communicate with others. They include verbal and non-verbal communication, such as speech, gesture, facial expression and body language.

Is charisma a gift or a skill? As to whether charisma is a "gift," because researchers can study charisma scientifically, measure and train it, and because computer programs can now identify how well people use rhetorical skills and body language, Antonakis deems it more of a learnable (rather than divine) kind of gift.

Is charisma social intelligence? Charisma is a set of social and communication skills that allows a person to connect with others, influence them, and inspire them. While intelligence can be an asset in developing charisma, it is not a necessary factor.

Is charisma a rare trait? The word charisma refers to a rare trait found in certain human personalities usually including extreme charm and a "magnetic" quality of personality or appearance along with innate and powerfully sophisticated personal communicability and persuasiveness; in short, charisma is often used to describe a seemingly uncanny ...

What does it mean to lack social skills? They involve difficulties or challenges in communication, understanding proper social behaviours and following cues in interactions. Individuals lacking social skills may struggle with aspects like making eye-contact and asserting themselves.

How to grow social skills?

What are the effects of poor social skills? Individuals with no social skills often struggle to form and maintain relationships. This can lead to feelings of isolation and loneliness, as they may find it challenging to connect with others on a deeper level.

What is the spiritual gift of charisma? The term charism denotes any good gift that flows from God's benevolent love. These abilities, often termed "charismatic gifts", are the word of knowledge, increased faith, the gifts of healing, the gift of miracles, prophecy, the discernment of spirits, kinds of tongues, interpretation of tongues.

Why is charisma so powerful? Emotional Contagion: Charismatic individuals often exhibit a range of emotions, expressiveness, and passion, which can trigger similar emotions in those around them. Emotional contagion, facilitated by the brain's limbic system, leads to the transmission of emotions

from one person to another.

What is the secret to charisma? Some researchers say charisma comes down to your affability (emotional approachability) and your influence (your ability to move or motivate others). Other people are likely to see you as charismatic if you smile often, look them in the eye, communicate with your hands, and say their name frequently.

How do charismatic people act? A charismatic personality can be someone who displays both social and leadership skills. They have warmth and competence that engages and persuades others. These behavioral traits can be learned, such as self-awareness, open body language, active listening, and treating each person you encounter with equal respect.

Is charisma born or learned? Because charisma is a collection of behaviors, you can learn it. Work on developing empathy, self-confidence and assertiveness.

Are charismatic people manipulative? The same qualities that make someone charismatic — their ability to read people, their skill at making others feel special, their knack for persuasion — can also be used to manipulate, exploit, and control.

How to tell if someone has charisma?

Is charisma related to IQ? As it turned out, IQ itself wasn't predictive of charisma once we controlled for speed. Your ability to respond quickly was much more important for charisma than your IQ was.

What makes charisma attractive? By cultivating confidence, empathy, authenticity, storytelling skills, positive energy, communication proficiency, and gratitude, you can develop an attractive charisma that leaves a lasting impact on everyone you encounter.

Table of Contents Charisma 31 powerful ways to attract influence people using communication skills social skills people skills conversational skills social skills likeability charismatic

Adopting Digital Book Trends:

1. Integration of Media-rich Elements
2. Engaging and Playful Electronic Books

Navigating Charisma 31 powerful ways to attract influence people using communication skills social skills people skills conversational skills social skills likeability charismatic Formats

1. Electronic Publication, Portable Document Format, MOBI, and Additional Formats
2. Charisma 31 powerful ways to attract influence people using communication skills social skills people skills conversational skills social skills likeability charismatic Compatibility with Gadgets
3. Charisma 31 powerful ways to attract influence people using communication skills social skills people skills conversational skills social skills likeability charismatic Enhanced Electronic Book Features

Finding Charisma 31 powerful ways to attract influence people using communication skills social skills people skills conversational skills social skills likeability charismatic

1. No-cost and Paid eBooks
2. Charisma 31 powerful ways to attract influence people using communication skills social skills people skills conversational skills social skills likeability charismatic Free Domain Electronic Books
3. Charisma 31 powerful ways to attract influence people using communication skills social skills people skills conversational skills social skills likeability charismatic Monthly Services
4. Budget-Friendly Options

Finding Reliable Data on Charisma 31 powerful ways to attract influence people using communication skills social skills people skills conversational skills social skills likeability charismatic

1. Verifying eBook Material
2. Distinguishing Credible Sources

Supporting Lifelong Education

1. Leveraging eBooks for Learning New Skills
2. Exploring Educational Digital Books

Staying Engaged with Charisma 31 powerful ways to attract influence people using communication skills social skills people skills conversational skills social skills likeability charismatic

1. Joining Online Book Communities
2. Attending Virtual Literary Circles
3. Keeping Up with Authors and Book Producers of Charisma 31 powerful ways to attract influence people using communication skills social skills people skills conversational skills social skills likeability charismatic

Selecting the Right eBook Provider

1. Well-known Electronic Book Platforms
2. Attributes to Look for in a Charisma 31 powerful ways to attract influence people using communication skills social skills people skills conversational skills social skills likeability charismatic
3. User-Friendly Design

Exploring Electronic Book Recommendations from Charisma 31 powerful ways to attract influence people using communication skills social skills people skills conversational skills social skills likeability charismatic

1. Customized Recommendations
2. Reader Reviews and Ratings of Charisma 31 powerful ways to attract influence people using communication skills social skills people skills conversational skills social skills likeability charismatic
3. Bestseller Lists

Boosting Your Reading Experience

1. Changeable Fonts and Text Sizes of Charisma 31 powerful ways to attract influence people using communication skills social skills people skills conversational skills social skills likeability charismatic
2. Highlighting and Jotting Down Notes in Charisma 31 powerful ways to attract influence people using communication skills social skills people skills conversational skills social skills likeability charismatic
3. Immersive Elements in Charisma 31 powerful ways to attract influence people using communication skills social skills people skills conversational skills social skills likeability charismatic

Balancing Electronic Books and Hardcover Books

1. Charisma 31 powerful ways to attract influence people using communication skills social skills people skills conversational skills social skills likeability charismatic Benefits of a Digital Archive
2. Building a Diverse Reading Collection of Charisma 31 powerful ways to attract influence people using communication skills social skills people skills conversational skills social skills likeability charismatic

Cultivating a Book Routine

1. Setting Literary Goals for Charisma 31 powerful ways to attract influence people using communication skills social skills people skills conversational skills social skills likeability charismatic
2. Carving Out Dedicated Reading Time

Understanding the eBook Market

1. The Rise of Electronic Books
2. Advantages of Electronic Books Over Traditional Books

Discovering Charisma 31 powerful ways to attract influence people using communication skills social skills people skills conversational skills social skills likeability charismatic

1. Investigating Different Types
2. Weighing Fiction vs. Non-Fiction
3. Identifying Your Literary Goals

Charisma 31 Powerful Ways To Attract Influence People ..., Jul 28, 2023 — Influence People Using. Communication Skills. Social Skills People Skills. Conversational Skills Social. Skills Likeability.

Charismatic. newsproducts brown columbia

edu/papersCollection/browse/index_htm_files/charisma_31_powerful_ways_to_attract_influence_people_using_com.pdf

Charisma: 31 Powerful Ways to Attract & Influence, With an overall rating of 4.3 stars, it's a notable title among other books. You can easily purchase or rent Charisma: 31 Powerful Ways to Attract & Influence ...

booksrun com/9781519649287-charisma-31-powerful-ways-to-attract-influence-people-using-communication-skills-social-skills-people-skills-conversational-skills-social-skills-likeability-charismatic

Charisma 31 Powerful Ways To Attract Influence People ..., Jul 28, 2023 — People Using

Communication Skills Social Skills. People Skills Conversational Skills Social Skills. Likeability

Charismatic Introduction. In ... newsproducts brown columbia edu/textbooks/uploaded-files/fetch

php/Charisma_31_Powerful_Ways_To_Attract_Influence_People_Using_Communication_Skills_Social_Skills_People_Skills_Conversational_Skills_Social_Skills_Likeability_Charismatic_Introduction.pdf

Charisma: Conversation Skills, Influence, Social ..., A powerful collection of his research and experience in the field of charisma, and is helping turn normal, average individuals into charisma gods. amazon

com/Charisma-Conversation-Communication-Persuasion-Charismatic-ebook/dp/B00M5XSK2K

How to Access Charisma: A Social Skill that Can be Learned - LinkedIn, A powerful collection of his

research and experience in the field of charisma, and is helping turn normal, average individuals into

charisma gods. linkedin com/pulse/how-access-charisma-social-skill-can-learned-lou-solomon#:~:text=You

don't show up,like many others is learned

Charisma | Psychology Today, Charisma is a simple skill that can be taught and THE CHARISMA RULES

will take you be the hand and teach you how to become one of the most successful and ... psychologytoday

com/us/basics/charisma#:~:text=Charisma is a personal quality,how someone looks when communicating

The Dark Side of Charismatic Leadership: A Social Exchange ..., Learn how to inspire, influence, and

engage people in this life-changing program with Vanessa Van Edwards. academicworks cuny

edu/cgi/viewcontent.cgi?article=3840&context=gc_etds#:~:text=Charismatic leaders%2C with their

potential,have consequences to both parties

Are You Being Led By A Charismatic Leader, or A Narcissist? Here's ..., Charisma parameters are

communication skills, taking risks, being authentic, etc. A person can develop all those characters, which in

turn enhances a person's ... linkedin com/pulse/you-being-led-charismatic-leader-narcissist-heres-how-robert-

glazer#:~:text=At face value%2C the traits,narcissism have totally different engines

The Power of Charisma - What's the Neuroscience Behind?, Ultimately charisma is the result of excellent

communication and interpersonal skills, as these skills can be learned and developed - so ... magdatabac

com/the-power-of-charisma/#:~:text=Emotional Contagion%3A Charismatic individuals often,from one

person to another

How to Be Charismatic: The 9 Habits of Insanely Likable People, Charisma is compelling attractiveness

or charm that can inspire devotion in others. Social skills are having grace and social awareness. blog

hubspot com/sales/habits-of-likable-people

Charisma - ScienceDaily, A charismatic person can not only appear confident in communication, but they

can also help others feel confidence too, thus aiding and enhancing the communicat... sciencedaily

com/terms/charisma htm#:~:text=The word charisma refers to,to describe a seemingly uncanny

Charisma: Conversation Skills, Influence, Social ..., amazon com/Charisma-Conversation-

Communication-Persuasion-Charismatic/dp/1521131376

Charisma: Conversation Skills, Influence, Social ..., goodreads com/book/show/22922628-charisma

Master Your People Skills, thegreatcoursesplus com/master-your-people-skills

Q&A with Vanessa Van Edwards: How to Communicate with ..., youtube com/watch?v=Eor7yNjboQI

Charisma: Influence People with The Charismatic ..., audiobooks com/audiobook/charisma-influence-

Is charisma a social skill?

people-with-the-charismatic-communication-develop-your-social-skills-to-attract-friends-stop-anxiety-and-captivate-people/491481?srsId=AfmBOoomwmnDyG-hu4hlgry5rCELGmsSLn7yWKfSvuIKD_kOG7q5j2xv

What are some ways to increase charisma? Can someone ..., quora.com/What-are-some-ways-to-increase-charisma-Can-someone-who-is-not-naturally-charismatic-learn-to-be-more-likeable

What's the difference between having charisma ..., quora.com/Whats-the-difference-between-having-charisma-and-having-social-skills

Charisma and Being Charismatic | SkillsYouNeed, skillseyouneed.com/ips/charisma.html

How to Access Charisma: A Social Skill that Can ..., linkedin.com/pulse/how-access-charisma-social-skill-can-learned-lou-solomon

Social Skills - Kid Sense Child Development, childdevelopment.com.au/play-and-social-skills/social-skills/#:~:text=What are social skills%3F,facial expression and body language

Is Charisma a Gift—or Can It Be Trained? - Psychology Today, psychologytoday.com/us/blog/between-cultures/201902/is-charisma-gift-or-can-it-be-trained#:~:text=As to whether charisma is,(than divine) kind of gift

Is it possible for a person to be smart and not very charismatic and vice ..., geniuslevel quora.com/Is-it-possible-for-a-person-to-be-smart-and-not-very-charismatic-and-vice-versa#:~:text=Charisma is a set of,is not a necessary factor

Charisma - ScienceDaily, sciencedaily.com/terms/charisma.htm#:~:text=The word charisma refers to,to describe a seemingly uncanny

Reference of Is charisma a social skill?

1. The Keys to the White House (category Short description is different from Wikidata) subjective, such as candidate charisma. The system consists of 13 true/false statements pertaining to circumstances surrounding a presidential election. If...
2. Statistic (role-playing games) (redirect from Skill (role-playing games)) include social characteristics as well, for example a character's natural charisma or physical appearance. They often influence the chance to succeed in a skill...
3. Dungeons & Dragons gameplay (redirect from Skill (Dungeons & Dragons)) linked skills. Charisma (CHA): Charisma is the measure of the character's combined physical attractiveness, persuasiveness, and personal magnetism; a high...
4. Charisma Man Charisma Man (?????, Karisuma Man) is a comic strip that first appeared in the February 1998 issue of The Alien (later known as Japanzine), a monthly...
5. Dorothea Lieven in 1812, Dorothea von Lieven used her intelligence, charisma, and social skills to make herself a leader of London's politicized society, thereby contributing...
6. Attribute (role-playing games) (category Short description is different from Wikidata) Charisma aka Presence, Charm, Social, ... A measure of a character's social skills, and sometimes their physical appearance. Charisma generally influences prices...
7. Social intelligence people and learning from success and failures in social settings. It is an important interpersonal skill that helps individuals succeed in all aspects of...
8. Leadership (redirect from Leadership skills) Leadership, both as a research area and as a practical skill, encompasses the ability of an individual, group, or organization to "lead", influence, or...
9. Power (social and political) Referent power is the power or ability of individuals to attract others and build loyalty. It is based on the charisma and interpersonal skills of the powerholder...

10. Emotional intelligence (category Life skills) relationship is stronger under contexts of high emotional exhaustion or burn-out; in other words, employees with high levels of optimism and social skills possess... and charisma - have on his environment. He travels back and forth between both worlds, using his newly obtained skills to improve himself, gaining a lot...
11. List of I Got a Cheat Skill in Another World and Became Unrivaled in the Real World, Too characters their self-concept, and it remains a consistent aspect throughout different stages of life. Identity is shaped by social and cultural factors and how others...
12. Identity (social science) is composed of many elements which are central to social interaction. It was determined that the elements of self-monitoring appear to be "charisma"...
13. Self-monitoring (category Short description is different from Wikidata) "game", or "studied charisma" has been attributed to modern forms of dating and social norms between sexes which have developed from a perceived increase... aspects of well-being, whereas psychological and social well-being, e.g. eudaimonic well-being, concerns skills, abilities, and optimal functioning. This tripartite... receive from the action. One study found that being kind develops pro-social skills in children, which positively effects their attachments and relationships...
14. Pickup artist (category Short description is different from Wikidata) Referent power is a form of reverence gained by a leader who has strong interpersonal relationship skills. Referent power, as an aspect of personal power... with the conventions and norms observed and practised by a society, a social class, or a social group. In modern English usage, the French word *étiquette*...
15. Positive psychology (category Pages displaying wikidata descriptions as a fallback via Module:Annotated link) teamwork. One way organizational psychologists measure teamwork is through the Knowledge, Skills, and Abilities (KSA) Teamwork Test. This test was developed... confidence, charisma and risk taking. Individuals high in machiavellianism tend to gravitate towards particular careers, especially those that require a high...
16. Humanity (virtue) (category Short description is different from Wikidata)
17. Referent power (category Power (social and political) concepts)
18. Etiquette (redirect from Social etiquette)
19. Teamwork (redirect from Teamwork skill)
20. Machiavellianism (psychology) (category Short description is different from Wikidata)

[CONFLICTMANAGEMENTANDNEGOTIATION](#)
[QUALITYMANAGEMENT](#)
[TIMEMANAGEMENTANDPRODUCTIVITY](#)
[CUSTOMERRELATIONSHIPMANAGEMENTCRM](#)
[INNOVATIONANDENTREPRENEURSHIPMANAGE](#)
[RISKMANAGEMENT](#)
[CHANGEMANAGEMENT](#)
[SUPPLYCHAINMANAGEMENT](#)
[MARKETINGMANAGEMENT](#)
[FINANCIALMANAGEMENTMANAGERS](#)
[HUMANRESOURCEMANAGEMENT](#)
[PROJECTMANAGEMENT](#)
[LEADERSHIPANDMANAGEMENT](#)
[OPERATIONSMANAGEMENT](#)
[STRATEGICMANAGEMENT](#)

What are the eight pulse sites and label their correct locations? The pulse points are the neck (carotid artery), the wrist (radial artery), behind the knee (popliteal artery), the groin (femoral artery),

Is charisma a social skill?

inside the elbow (brachial artery), the foot (dorsalis pedis and posterior tibial artery), the abdomen (abdominal aorta).

What are the vital signs answer? Body temperature. Pulse rate. Respiration rate (rate of breathing) Blood pressure (Blood pressure is not considered a vital sign, but is often measured along with the vital signs.)

What term reflects the strength of the heart when it contracts? The strength of the contracting heart is reflected by its contractility. In heart failure, the contractility wanes significantly and the heart cannot compensate during periods of increased physical activity.

Which pulse site may be congenitally absent in some patients? In about 10% of patients the DPA is congenitally absent. In about 2% of patients, the PTA is congenitally absent. Too often, medical providers palpate a single pulse in the foot and make the incorrect decision that there is adequate blood flow.

What are the 9 pulse sites and location?

What are the 4 locations to find your pulse? You can find your pulse on your wrist, neck, elbow or even the top of your foot. But the easiest place to take your pulse is your wrist.

What are the 7 vital signs?

What are all 6 vital signs?

What are 5 vital signs?

Why is it essential that vital signs are measured accurately? They provide crucial information about your organs. Therefore, the importance of vital signs monitoring is that it allows medical professionals to assess your wellbeing. Based on the results, a doctor may conduct further tests, diagnose a problem, or suggest lifestyle changes.

What information is needed when assessing the respiratory vital signs? Inspection during a focused respiratory assessment includes observation of level of consciousness, breathing rate, pattern and effort, skin color, chest configuration, and symmetry of expansion.

What may changes in vital signs indicate? Vital signs include temperature, heart rate, blood pressure, oxygen saturation, and respiratory rate. Changes in vital signs can alert a clinician that a patient is declining. These measurements can also indicate underlying medical conditions. Close and accurate monitoring of vital signs is imperative to proper care.

What are the sites of pulse in the body? The pulse is readily distinguished at the following locations: (1) at the point in the wrist where the radial artery approaches the surface; (2) at the side of the lower jaw where the external maxillary (facial) artery crosses it; (3) at the temple above and to the outer side of the eye, where the temporal artery is ...

What are the locations to check the pulse rate? The pulse can be measured using the radial artery in the wrist or the carotid artery in the neck. Heart rates vary from person to person. Knowing your heart rate can help you gauge your heart health.

Which of the pulse sites listed is the most commonly used? The radial pulse is also located near the skin's surface, so it usually needs light pressure to palpate. The radial pulse is the most commonly used pulse point for assessing pulse rate in adults.

What are the 2 most common pulse points used and where are they located? In the upper extremities, the two most commonly palpated peripheral pulses are those of the radial and brachial arteries. Examiners frequently evaluate the radial pulse during a routine examination of adults, as this pulse is easily accessible and palpation is unobtrusive.



Figure CHP-9-vital-signs-wecompress.com1_.pptx

Chapter 31 : Vital Signs Flashcards, Study with Quizlet and memorize flashcards containing terms like Apnea, Arrhythmia, Arteriosclerosis and more. quizlet.com/49129949/chapter-31-vital-signs-flash-cards/

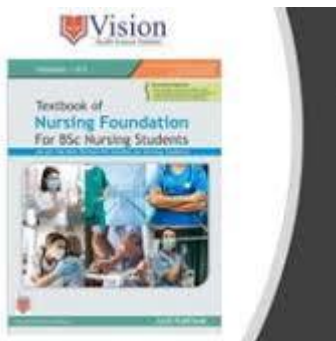


Figure CHP-9-vital-signs-wecompress.com1_.pptx

Kinn's Medical Assistant - Chapter 31 - Vital Signs Flashcards, 1. temperature 2. pulse 3. respiration 4. blood pressure. List the 4 cardinal vital signs ; apnea. absence of cessation of breathing ; arrhythmia. an abnormality ... quizlet.com/328878086/kinns-medical-assistant-chapter-31-vital-signs-flash-cards/



Figure CHP-9-vital-signs-wecompress.com1_.pptx

Vital signs | PPT, 28 Dec 2021 — Vital signs are key medical measurements that indicate the status of vital body functions. ... MA114 Chapter 20 vital signs blood pressure ... slideshare.net/slideshow/vital-signs-250912678/250912678

Handbook for Brunner & Suddarth's Textbook of Medical, vital signs for signs of decreased fluid volume. Improving Self-Concept. • Encourage patient to express feelings about changes from surgery (fear, anger ... [rspmanguharjo jatimprov go id/wp-content/uploads/2020/02/11 -Handbook-for-Brunner-and-Suddarths-Textbook-of-Medical-Surgical-Nursing-12th-Edition-Suzann.pdf](https://www.rspmanguharjojatimprov.go.id/wp-content/uploads/2020/02/11-Handbook-for-Brunner-and-Suddarths-Textbook-of-Medical-Surgical-Nursing-12th-Edition-Suzann.pdf)

CHP-9-vital-signs-wecompress.com1_.pptx, 2 Jan 2023 — This document provides an overview of vital signs and how to assess them. It discusses the purposes of monitoring vital signs, which include ... slideshare.net/slideshow/chp9vitalsignswecompresscom1pptx/255108946

Medical-Surgical Nursing: Assessment and Management ..., ... 31 Nursing Management: Hematologic

Problems, 120. Section 7: Problems of ... vital signs on a stable patient i. Assisting with patient bathing. 17. Match ... repository poltekkes-kaltim ac id/685/1/medical-surgical-nursing pdf

Human Pulse - Explanation, Types and FAQs - Vedantu, 31. Sleep Medicine · 32. Psychosocial Assessment and Interviewing · 33 ... Major Symptoms and Signs of Digestive Tract Disorders · 333. Development and ... vedantu com/biology/human-pulse#:~:text=The pulse points are the,the abdomen (abdominal aorta)

Vital Signs (Body Temperature, Pulse Rate, Respiration Rate, Blood ..., Chapter 31 Infection Control Principles 773. Chapter 32 Asthma 793. Chapter 33 ... Vital Signs 5. Techniques of Assessment 6. Inspection 6. Palpation 6. columbiadoctors org/treatments-conditions/vital-signs-body-temperature-pulse-rate-respiration-rate-blood-pressure#:~:text=include the following%3A-,Body temperature,along with the vital signs)

Contractility - an overview | ScienceDirect Topics, by J Gong · 2021 · Cited by 36 — This paper marks a first step in enabling RF vital sign sensing under ambulant daily living conditions. Our solution is inspired by existing ... sciencedirect com/topics/agricultural-and-biological-sciences/contractility#:~:text=The strength of the contracting,periods of increased physical activity

Clinical Evaluation of the Foot for Peripheral Arterial Disease, drcumming com/signs-and-symptoms/clinical-evaluation-for-peripheral-arterial-disease#:~:text=In about 10%25 of patients,there is adequate blood flow

Nelson Textbook of Pediatrics, clinicalkey com/#!/browse/book/3-s2 0-C20161017121

Normal Values, http://samples.jblearning com/9781284155228/9781284155310_FMxx_i_xlviii pdf

RF Vital Sign Sensing under Free Body Movement, dl acm org/doi/abs/10 1145/3478090

What are powerful prayers for marriage? Lord, I give You this marriage we are about to embark on. Give us an unshakeable bond with one another. We commit to You our intentions to form a strong family, remain faithful to one another over time, and grow old together. We trust You as the core and wellspring of our marriage.

What is the prayer of the day for marriage? Heavenly Father, grant I pray that (husband) and (wife) may have a true and understanding love for each other. Grant them both with faith and trust. Give them the grace to live with each other in peace and harmony. May they always bear with one another's weaknesses and grow from each others strengths.

What is the Bible prayer for marriage? Father, bless and strengthen our marriage in the midst of the pressure and problems of our lives (2 Corinthians 12:9). Father, I ask You to protect our marriage from the attacks of Satan. Deliver us from his evil, destructive plans (1 Peter 5:8).

What is the 30 day prayer for relationships? Pray that you would rely on God in times of trouble and that He would replace negative patterns with His peace and kindness; that He would give you the grace to treat each other with love and respect. Ask the Lord to expose and rid you of ways that are causing hurt and harm to your relationship.

What is the intercessory prayer for marriage? Lord, hear our prayer. You live in eternity with the Son and the Holy Spirit in oneness of life and communion of love; grant that these your servants will be mindful of the covenant of love found in the sacrament of marriage and that they will do all they can to uphold its true meaning. Let us pray to the Lord.

How to pray for God's will in marriage? O Lord make Your way plain before my face. O God, You who reveal seret things, make known unto me Your choice for me in marriage. Holy Spirit, open my eyes and help me to make the right choice, in the name of Jesus.

What are the three blessings of marriage? God designed marriage for three primary purposes: companionship, procreation, and redemption.

What is the power of prayer in marriage? God's heart is for marriage reconciliation and union. According to 2 Corinthians 5:18, He has reconciled us to Himself through Christ Jesus and given us a reconciliation ministry. Praying with your spouse is a powerful way to restore and revive your marriage.

What is the miracle prayer for marriage restoration? Please heal the wounds we brought into our marriage through childhood and other life experiences. Help us recognize how those wounds can affect how we relate to one another now. Please assist us in seeking and accepting help and healing where needed. We pray for a recommitment to the health of the relationship.

What Psalm is the prayer for marriage? Praying Psalm 34:3 Over Marriages So, oh God, I pray for every husband and wife. Every marriage represented in those who are listening right now. God, I pray Psalm 34:3 over every one of those marriages, including my own marriage. God, we pray that our marriages would lead to magnification of your name.

What is God's command for marriage? In the Old Testament, we are taught, "Therefore shall a man leave his father and his mother, and shall cleave unto his wife: and they shall be one flesh" (Genesis 2:24). Married couples are meant to be unified in every possible way.

What is the spirit filled prayer for marriage? Heavenly Father, please unify our hearts under Your loving authority and bring us together like never before. Lord, as life pulls at us and demands our time and energy, help us prioritize time together. We need Your presence in our marriage - Your constant presence of love, joy, and peace.

What is the powerful prayer for marriage? Psalm 37:23 (NIV): "The Lord makes firm the steps of the one who delights in him." "Lord, I submit my desires to Your will. May Your plan for my marriage come to pass. Amen."

What is the best prayer for husband and wife? Lord, I pray that you would bless my marriage. Protect our marriage from the enemy and give us wisdom, discernment and a determination to pray for our marriage. I pray that our commitment to you and to one another would grow stronger and more passionate each day.

How do you pray for a struggling marriage? May we, as husband and wife, be present to each other during times of suffering; may we never willingly cause each other to suffer. But grant that we might be strong with the strength of Your love, persevering and growing in our love until death. Amen.

What is the marriage prayer? God the Father, God the Son, God the Holy Spirit, bless, preserve and keep you; the Lord mercifully grant you the riches of his grace, that you may please him both in body and soul, and, living together in faith and love, may receive the blessings of eternal life.

How should a couple pray in marriage?

How to pray for marriage with Bible verses? Ephesians 4:31-32 Be kind to one another, compassionate, forgiving each other, just as God in Christ also has forgiven you. Lord, may kindness and compassion be the normal for their marriage. Help them to guard their marriage with forgiving hearts, always remembering their own need for forgiveness.

How do you let go and let God in a marriage?

How can I know God's will for me in marriage? Ask God to bless you with the desire and the ability to do his will in your marriage. Pray you both seek God's will and together if that is His will. Pray to be a good spouse, a good parent, a good person, period. God will help you if you are sincere.

How to seek the face of God in marriage? To seek God together as a couple, you must read God's Word together. God is woven into every area of your life. To realize and understand that fact, you must start with reading the Bible daily because it is through His Word that God speaks to us. Talk: Why is it important to read the Bible together?

What are the three blessings of marriage? God designed marriage for three primary purposes: companionship, procreation, and redemption.

What is the prayer for marriage blessing? Wedding Prayer 1: Bless their marriage, O God, as they begin their journey down the road of life together. We don't know what lies ahead for the road turns and bends. But help them to make the best of whatever comes their way. Help them to continue to enjoy each other as they did when they first met.

How to pray for your marriage to be restored? We need your way, your truth, and your life. We've lost our "first love" for each other. We need you. We need you to restore us; I ask you to restore us oh Lord and to help us find the way back to each other and you again.

What is the most powerful prayer for husband? "Dear God, Today, I bring before You my beloved husband, carrying in my heart his hopes, dreams, and the endeavors he is striving towards. I ask for Your guiding hand to be upon him, leading him into success and fulfillment in every area of his life. Lord, bless his work with prosperity and satisfaction in his work.

31 Prayers for Marriage: Daily Scripture-Based Prayers to ..., This book has prayers that consider all the various challenges of married life and asks God to cultivate certain strengths into the marriage. Even provides some ... [amazon.com/31-Prayers-Marriage-Scripture-Based-Access/dp/1463745338](https://www.amazon.com/31-Prayers-Marriage-Scripture-Based-Access/dp/1463745338)

31 Prayers For Marriage Daily Scripture Based ..., 31 Prayers for Marriage Nathaniel Turner, 2011-10-01 Discover the power of Scripture-based prayer with these 31 prayers for marriage. Pray one of these ... newsproducts.brown.columbia.edu/papersCollection/publication/fetch.php/31_prayers_for_marriage_daily_scripture_based_prayers_to_access_the_power_of_god.pdf

31 Prayers for Marriage: Daily Scripture-Based ..., This book has prayers that consider all the various challenges of married life and asks God to cultivate certain strengths into the marriage. Even provides some ... [amazon.com/31-Prayers-Marriage-Scripture-Based-Access-ebook/dp/B005RTADVK](https://www.amazon.com/31-Prayers-Marriage-Scripture-Based-Access-ebook/dp/B005RTADVK)

31 Prayers for Marriage Daily Scripture-Based Prayers to Access ..., Description: Discover the power of Scripture-based prayer with these 31 prayers for marriage. Pray one of these Scripture prayers with your spouse each day ... [textbookrush.com/browse/books/9781463745332](https://www.textbookrush.com/browse/books/9781463745332)

8 Prayers for Preparing for Marriage | Positive Encouraging K-LOVE, 31 Prayers For Marriage Daily Scripture Based Prayers To Access The Power Of God. 16. Marriage Daily Scripture. Based Prayers To Access. The Power Of God. [klove.com/resources/marriage/8-prayers-for-preparing-for-marriage-6860#:~:text=Lord%2CI%20give%20You%20this,and%20wellspring%20of%20our%20marriage](https://www.klove.com/resources/marriage/8-prayers-for-preparing-for-marriage-6860#:~:text=Lord%2CI%20give%20You%20this,and%20wellspring%20of%20our%20marriage)

Wedding Prayers - Austin Officiant Minister - I Do Ceremonies, We encourage you to pray your own version of these prayers daily as part of the 31 Day Marriage Devotional. Page 5. A Prayer for My Husband. Dear Lord,. Thank ... [idoceremonies.org/wedding-ceremony-blessings-minister/#:~:text=Heavenly%20Father%2C%20grant%20I%20pray,grow%20from%20each%20others%20strengths](https://www.idoceremonies.org/wedding-ceremony-blessings-minister/#:~:text=Heavenly%20Father%2C%20grant%20I%20pray,grow%20from%20each%20others%20strengths)

Scripture Prayers for Your Marriage, Prayer invites the power of God into the life of your spouse and your marriage. Trust him to do more than you could ask or imagine! Lord, help us to pray ...[http://prayerclosetministries.org/assets/PDF/Scripture Prayers for Your Marriage.pdf](http://prayerclosetministries.org/assets/PDF/Scripture%20Prayers%20for%20Your%20Marriage.pdf)

30 Day Prayer Challenge for Couples - Trophy Marriage, Dear God, we thank You for the gift of marriage and for being the source of love. May our union be known by Your love. We pray that our actions toward. [trophymarriage.com/post/30-day-prayer-challenge#:~:text=Pray that you would rely,and harm to your relationship](https://www.trophymarriage.com/post/30-day-prayer-challenge#:~:text=Pray%20that%20you%20would%20rely,and%20harm%20to%20your%20relationship)

Intercessions for Marriage | Diocese of La Crosse, Dec 12, 2016 — Pray my future husband will desire God's heart for us and for our marriage to be his dwelling place. Pray that God brings this husband into my ... [dioc.org/marriage/marriage-preparation/marriage-preparation-for-ministers/nurture-their-marriage/intercessions-for-marriage/#:~:text=R%2F%2C%20hear%20our%20prayer%2C%20us%20pray%20to%20the%20Lord](https://www.dioc.org/marriage/marriage-preparation/marriage-preparation-for-ministers/nurture-their-marriage/intercessions-for-marriage/#:~:text=R%2F%2C%20hear%20our%20prayer%2C%20us%20pray%20to%20the%20Lord)

PRAYERS TO KNOW GOD'S WILL IN MARRIAGE | Wisdom From Lord, Dear Lord, bless our

marriage with love that grows stronger each day. Grant us the patience, understanding, and strength to support one another in every ... prophetessmegodusanya wordpress com/2010/04/23/prayers-to-know-gods-will-in-marriage/#:~:text=O Lord make Your way,in the name of Jesus

Read Book 31 Prayers For Marriage Daily Scripture Based ..., web lancaster edu gh/primo-explore/threads/HomePages/31_Prayers_For_Marriage_Daily_Scripture_Based_Prayers_To_Access_The_Power_Of.pdf

31-Day Marriage Devotional, xomarriage com/wp-content/uploads/2021/07/31DayMarriageDevotional_Version_2_small.pdf

• **A 31-Day Devotional for Couples** •, growinghometogether com/wp-content/uploads/2019/03/Closer-A-31-Day-Devotional-for-Couples.pdf

30 Days of Marriage Prayers - Tony Evans, go tonyevans org/hubfs/pdf/30DaysMarriagePrayers-Ebook.pdf

Praying for Your Husband from Head to Toe, proverbs31 org/read/devotions/full-post/2016/12/12/praying-for-your-husband-from-head-to-toe

30 Marriage Prayers and Blessings for a Strong Relationship, crosswalk com/faith/prayer/5-prayers-for-a-stronger-marriage.html

How does call for papers work? A “call for papers” (or CFP) is a request from a professional journal, conference, or other forum that asks scholars to submit research on a particular theme or subject. The CFP from a particular journal or other entity may pose a research question or series of questions that scholars should address in their work.

How do you write a call for papers?

How long should a call for papers be? How long should a call for papers be? A call for papers is generally between 200 to 300 words. The messaging should be short, concise, and scannable. It should include key information and clear direction on the type of research the conference organizers are looking for, and nothing else.

How do you answer a call for papers?

How do you circulate a call for papers?

How to write a call for submissions?

How to write an abstract for call for papers?

What does call for papers deadline mean? A call for papers means that a professional organization or similar body is asking people to submit original, scholarly articles for review and consideration for publication.

Can you submit the same paper to multiple conferences? Submitting and Presenting the Same Paper for Multiple Conferences. Multiple submissions of the same paper to several conferences and/or journals may seem like a good idea to boost your academic reputation and presence. However, this is generally regarded as bad practice and not altogether ethical.

What is a reasonable time to call? Never hang up without saying anything when you dial a wrong number, as this is a basic discourtesy. In terms of appropriate times for making calls, the general rule is between 9 am and 9 pm, unless you're certain a friend or relative doesn't mind earlier or later calls.

How do you answer a call example?

How do you answer a call properly?

What is the enlisted classification directory AfeCd? The Air Force Enlisted Classification Directory (AFECD) is a comprehensive guide detailing duties, responsibilities, and qualifications for various Air Force enlisted specialties, serving as a critical tool for personnel assignments and career management.

What does afocd stand for? The AF Officer Classification Directory (AFOCD) is the official guide to each AFSC.

What is the official directory for all military enlisted classification descriptions, codes, and identifiers? Air Force Enlisted Classification Directory (AFECD): The official directory for all military enlisted classification descriptions, codes, and identifiers establishes the occupational structure of the Air Force enlisted force.

Do air force officers have skill levels? Most Air Force badges are awarded in three degrees or skill levels. Aeronautical rating badges for pilots, combat systems officers, observers, and air battle managers are awarded at basic, senior, and command levels; while flight nurses and flight surgeons are awarded ratings at the basic, senior, and chief levels.

What are the 3 enlisted tiers? The enlisted force is comprised of three distinct and separate tiers: Junior Enlisted Airmen, Noncommissioned Officers, and Senior Noncommissioned Officers. Each tier correlates to increased levels of education, training, and experience, as well as leadership and managerial responsibilities.

What replaced MyPers? As a result of this digital transformation, the submission of Air Reserve Component Retirement Pay Applications is transferring from the current myPers platform to a new platform called myFSS no later than 1 May 2023.

Is a CSO a pilot? You may lead aircrew, serve as an instructor pilot and command operational flying organizations. As a Combat Systems Officer (CSO), your job is to manage in-flight air operations. You're the tactical expert of your specific aircraft.

Where can I find AFoCd? (The AFOCD is located in MyPers/MyFSS. Locate it by clicking on officers and then search for AFOCD.)

What is a 7 level in the Air Force? Apprentice (3-skill level) Journeyman (5-skill level) Craftsman (7-skill level) Superintendent (9-level)

What are the Army enlisted classification systems? The U.S. Army has 13 enlisted ranks: private, private second class, private first class, specialist, corporal, sergeant, staff sergeant, sergeant first class, master sergeant, first sergeant, sergeant major, command sergeant major and sergeant major of the Army.

What is a military identification code? The Unit Identification Code is a six-character code created by the DoD Components to identify an activity in manpower and readiness reporting systems. Prior to the advent of the DoDAAC (circa 1960), the UIC was a five-digit code used for financial resources, readiness, and manpower.

What is a 5 digit MOS code army? Warrant Officer MOS codes have 5 characters. The first 3 characters define an area of concentration, and the 4th character is added to designate the MOS. The 5th character is the skill qualification identifier. The SAO military crosswalk will only display the first 4 characters of the Warrant Officer MOS.

What is a 5 level Air Force? Skill level 1 – Helper (recruits or trainees in technical school) 3 – Apprentice (technical school graduates applying and expanding their job skills) 5 – Journeyman (experienced Airmen functioning as front-line technicians and initial trainers) 7 – Craftsman (Airmen with many years of experience in the specialty, ...

Can Air Force officers fly? Once you are qualified to join the Air Force as an officer, you will take this path to get your wings: Complete Officer Training (Air Force Academy, AFROTC, or OTS). Enter Undergraduate Pilot Training (UPT) and begin flight training (~1 year).

How fast do you rank up as an officer in the Air Force? Second Lieutenant (O-1) is eligible for promotion to First Lieutenant (O-2) with 24 months' time-in-grade. O-2 is eligible for promotion to Captain (O-3) with 24 months' time-in-grade. O-3 may be eligible for promotion to Major (O-4) with 24 months' time-in-grade.

Is E6 a high rank? Staff sergeant (SSG) is the E-6 rank in the United States Army, just above sergeant and below sergeant first class, and is a non-commissioned officer (NCO).

Is E9 a high rank? A third E-9 element is the senior enlisted person of each service. The sergeant major of the Army, the sergeant major of the Marine Corps, the master chief petty officer of the Navy and the chief master sergeant of the Air Force are the spokespersons of the enlisted force at the highest levels of their services.

What is the highest rank of an NCO? Senior non-commissioned officers (SNCOs) hold the highest responsibilities among NCO ranks. Under this command is sergeant first class, master sergeant, first sergeant, sergeant major, command sergeant major, and Sergeant Major of the Army.

Is myPers still active? MyPers Sunsetting This Digital Transformation Initiative directly impacts how we serve Airmen and, as such, it is the number one priority for ARPC. The deadline for transferring these functions is 30 April 2023; this is when the myPers system will shut down.

Where are PSDMS now? The PSDM can be found on myFSS/myPers TPS Boards are announced by the Air Force Personnel Center (AFPC), Randolph Air Force Base. They create announcements in the Personnel Services Delivery Messages (PSDM) system which are then circulated to the military personnel offices and then down through the chain of command.

What replaced the a7e? The A-7 was largely replaced by newer generation fighters such as the General Dynamics F-16 Fighting Falcon and the McDonnell Douglas F/A-18 Hornet.

What are the Army enlisted classification systems? The U.S. Army has 13 enlisted ranks: private, private second class, private first class, specialist, corporal, sergeant, staff sergeant, sergeant first class, master sergeant, first sergeant, sergeant major, command sergeant major and sergeant major of the Army.

Where can I find AFoCd? (The AFOCD is located in MyPers/MyFSS. Locate it by clicking on officers and then search for AFOCD.)

What is Army Classification 4 A? 3-A – Hardship Deferment – Deferred from military service because service would cause hardship upon his family. 4-A – Registrant who has completed service; or sole surviving son. 4-B – Official deferred by law. 4-C – Alien or Dual National – Sometimes exempt from military service.

What does enlisted ranks mean? An enlisted rank (also known as an enlisted grade or enlisted rate) is, in some armed services, any rank below that of a commissioned officer.

Figure Air Force Enlisted Classification Directory 31 Oct 2023 ...

31 October 2017 AIR FORCE ENLISTED ..., 31 Oct 2017 — This update contains all changes that have been approved and scheduled for implementation on 31 October 2017 and provides a Change Summary and ... [inghro idaho gov/hr/forms/air agr/Website forms/AFECD-Oct 17 Final v3 pdf](http://inghro.idaho.gov/hr/forms/air_agr/Website_forms/AFECD-Oct_17_Final_v3.pdf)

Figure Air Force Enlisted Classification Directory 31 Oct 2023 ...

AFI 13-213 JB Charleston Supplement - Air Force, 2 May 2023 — This supplement defines, describes, and implements airfield driving policies, responsibilities, and procedures for operating vehicles on the ... [static e-publishing af mil/production/1/jbcharleston/publication/afi13-213_amcsup_jbcharlestonsup/afi13-213_amcsup_jbcharlestonsup pdf](http://static.e-publishing.af.mil/production/1/jbcharleston/publication/afi13-213_amcsup_jbcharlestonsup/afi13-213_amcsup_jbcharlestonsup.pdf)



31 Oct 2018

AIR FORCE ENLISTED CLASSIFICATION DIRECTORY (AFECD)

The Official Guide to the Air Force Enlisted Classification Codes

Figure 31 Oct 2018 AIR FORCE ENLISTED CLASSIFICATION DIRECTORY (AFECD)

31 October 2020 AIR FORCE OFFICER CLASSIFICATION ..., 31 Oct 2020 — This Guide established the occupation structure of the Air Force officer force and implements Air Force Policy. Directive (AFPD) 36-21, ... [afrotc ua edu/uploads/5/3/7/5/53759463/air_force_officer_classification_directory pdf](http://afrotc.ua.edu/uploads/5/3/7/5/53759463/air_force_officer_classification_directory.pdf)

AF Special Warfare - Attachment 7, AFMAN 36-2108 Attachment 10 31 October 1994 Effective 31 October 1993 ... AFECD, 31 October 2017. 3.3.3. U.S. Army Basic Airborne Course (Static-Line ... [afspecialwarfare com/files/history/Attachment 07 pdf](http://afspecialwarfare.com/files/history/Attachment_07.pdf)

dafman36-2689 - Air Force - AF.mil, 31 Mar 2023 — This publication implements Department of the Air Force Policy Directive (DAFPD) 36-26, Total Force Development and Management. [static e-publishing af mil/production/1/af_a1/publication/dafman36-2689/dafman36-2689 pdf](http://static.e-publishing.af.mil/production/1/af_a1/publication/dafman36-2689/dafman36-2689.pdf)

Information Extracted from Air Force Enlisted Classification ..., Use guidance and procedures for interpreting and implementing current, intermediate, and long range plans, policies, and programs. AFECD, 30 ... [kansasregents org/resources/Air_Force_MOC_Manual pdf](http://kansasregents.org/resources/Air_Force_MOC_Manual.pdf)

What is the Air Force Enlisted Classification Directory (AFECD)?, by S ROBSON · 2022 · Cited by 3 —

Which BMW is longest? Experience supreme comfort and luxury with the BMW 3 Series Gran Limousine. It is the longest and the most spacious car in the segment and is designed for outstanding comfort in an extremely luxurious cabin.

What older BMWs are fast?

What BMW models last the longest? How many miles do BMW cars last? The publication iSeeCars ranked the BMW M6 among the top 10 longest-lasting sports cars, with some models reported as still running after 200,000 miles.

What years are BMW E46 318i? BMW 318i E46 Facelift 143ps, (2002 - 2007)

What does CI mean in BMW? Ci – This was used earlier at a time when there was no clear difference between the BMW sedans and coupés. Today a distinction can be made with the help of odd and even numbers. For instance, the BMW 323 Ci (model year 1999 or 2000) meant the car was either a coupé or convertible from the BMW 3 Series.

What does e in E46 mean? The "E" stands for "Entwicklung", the German word for development. The E46 is the body style for: The E46 is the body style for: 1999: 323i, 328i. 2000: All 323 & 328s. 2001+: All 325s, 330s, and the M3 Coupe and M3 Convertible (There are no plans for an E46 M3 Sedan nor Touring).

Is the 318i a good engine? Mind you, if you want your 3 Series as a sedan you can now only have it as a 318i (not counting the supercar-chasing M3). It's just as well that it has a brilliant engine, then. The 2.0-litre turbo packs a punch but is well-mannered about it, and is also ridiculously fuel efficient.

Is 318i fast? The 318 is definitely the slowest of the 3 series, so if you're looking for speed, I wouldn't go with that one. everyone forgets the 316! But dude, I drive a e36 318i manual, and while its a fun car to drive, it can be painfully slow at the best of times.

Is E46 hard to maintain? The E46 M3 is honestly not that hard to take care of. There are a few major things you should always keep an eye on and those are outlined in the Mandatory section at the bottom of this article, but otherwise it's easy. Not too expensive either. This is a 20+ year old car now and parts are available or cheap.

What does BMW 318i mean? The 20 and 18 parts of the names refer to the engines under the bonnet, and they're available in petrol (318i/320i) and diesel (318d/320d) formats. The petrol models use different size engines – a 136hp 1.5-litre unit for the 318i, and a more powerful 184hp 2.0-litre engine for the 320i.

What is the most economical E46? For stick, the 03/2003+ 330s got the best mileage because they had the tallest rear diff and had a 6th gear to get even lower revs. For autos, the mileage was more or less the same between 325s and 330s.

Which BMW has E46 engine? BMW 3 Series (E46) timeline. (November) Fourth-generation 3 Series (E46) introduced as a four-door saloon. Double VANOS (Variable Nockenwellen Steuerung – inlet and exhaust valve timing) introduced on all six-cylinder models. Coupe (Ci) debuts in November in 320, 323 and 328 specification.

Are E46 fast? In several of the subsequent runs, we see the car pushed beyond 260 kph, with its fastest speed nearing 280 kph in the clip. That's 174 mph, for what it's worth.

What is the fastest E46 model? Fresh from the dyno, the M3 claimed the title of "Fastest BMW" with a speed of 178mph.

Does E46 need premium? To best maintain your BMW's engine and allow it to perform properly, premium gasoline is required. It will maintain the turbochargers and promote more stable ignition timing. Overall, long-term use of the wrong fuel can cause engine damage and decrease fuel efficiency.

What is the big 3 E46 problem? The BMW E46 M3 with the S54 engine is an incredibly powerful and capable vehicle, but it has some notable points of failure. You will often hear people talk about "The Big 3" when it comes to maintenance on your E46. The Big 3 includes rod bearings, a rebuilt VANOS, and subframe reinforcement.

How to maintain E46?

What is VANOS on an E46? The VANOS actuator is responsible for adjusting the camshaft timing to achieve the highest engine efficiency. Over time oil sludge can build up and the seals can fail, which leads to a malfunctioning VANOS actuator. You may experience an engine with low power, rough idle or stalling when coming to a stop.

What engine does the 318i have? The North American model range consisted of the models listed below. The 318i models were powered by the BMW M42 engine until 1995, and later the BMW M44 engine which was used in the 318is model sold in other countries. In North America, the "is" suffix was applied to the coupés.

Which E46 has the M54 engine? The M54B22 was used on the BMW E46 320i and 320Ci from 2000 to 2006, BMW E39 520i from 2000 to 2003, BMW E36/7 Z3 2.2i between 2000 and 2002, and BMW E85 Z4 2.2i and BMW E60/E61 520i from 2003 to 2005.

What cars have the N46 engine?

What BMW has the N42 engine? BMW n42 engine Suitable for, E90, E46 and 1 series models Call.

Is the 318i a good engine? Mind you, if you want your 3 Series as a sedan you can now only have it as a 318i (not counting the supercar-chasing M3). It's just as well that it has a brilliant engine, then. The 2.0-litre turbo packs a punch but is well-mannered about it, and is also ridiculously fuel efficient.

Is 318i turbocharged? Replacing the four-cylinder 316i in the foothills of the range is a new 318i, powered by the same 1.5-litre three-cylinder turbocharged petrol engine as the latest MINI Cooper.

What is the difference between 318i and 318is? The late 91 318i is always a four door while the 318is is a 2 door coupe. Generally the coupe had the sport seats, sport suspension, basket weave wheels and a rear trunk spoiler. They even came without a sunroof in some cases.

Does M54 have VANOS? As per the M52TÜ, the M54 uses an aluminium block and aluminium cylinder head with cast iron cylinder liners. Variable valve timing is fitted to both camshafts (called "double-VANOS"), a dual length intake manifold (called "DISA") is used and the thermostat is electronically controlled.

What does E46 stand for? They call the fourth generation of their popular 3-Series the E46, which ran primarily between 1997 and 2006 in the coupe and convertible body styles.

Which E46 has VANOS? The standard i6 double vanos is on all the E46 6 cylinder (non-diesel, non-M3) cars (323, 325, 328, 330). All of the double vanos units have failed seals and replacing them will provide significant performance improvements and improved fuel consumption.

What is the difference between BMW N42 and N46? They are almost identical. The only difference is that the VVT is external on the N42 and internal on the N46. Easy to spot if you open the engine bay between the two.

What's the best BMW engine?

What BMW has the N47 engine? The BMW N47 engine was found in the 1 series, 3 series and 5 series including the E87 LCI and E81, E82 and E88, E9X LCI, E60/E61 LCI and F10/F11 models. Production of the N47 common rail diesel engine began in 2007.

What engine is in the BMW 318i 1987? The M40B18 is a 1,796 cc (109.6 cu in) version of the M40, which has a bore of 84 mm (3.3 in) and a stroke of 81 mm (3.2 in). It produces 83 kW (111 hp) and 163 N·m (120 lb·ft). Applications: 1987–1994 E30 318i.

Is 318ci good? 318ci is the n42/6 Engine. It has a few problems that can be pretty expensive. Timing chain, vvt(Sensor, exzentric shaft, Motor) vvt fail can be 1-2k in parts easy. Oil pan leaks faster because it's not cast alu like on the M54.

How many cylinders are in a BMW 318i?

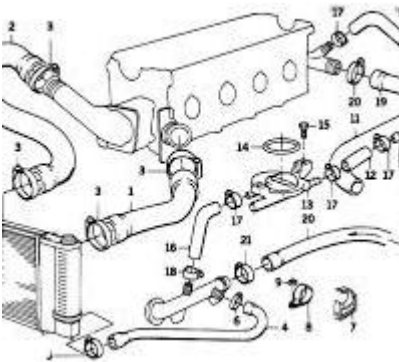


Figure Pin page

BMW 3 Series (E46) - Wikipedia, Buy Original BMW Engine replacement Parts & Accessories order cheap ? BMW Engine parts for 318i Saloon model no. AL31 series E46 buy fairly from the ... en wikipedia org/wiki/BMW_3_Series_(E46)

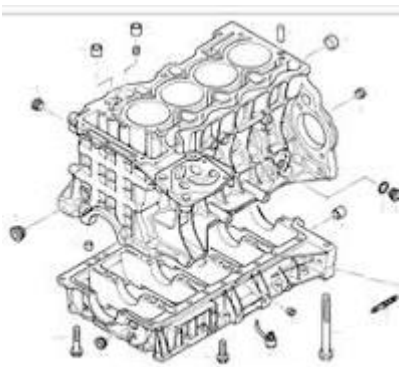


Figure Engine | BMW 3' E46 318i N42 Thailand

BMW 3 Series (E46) | Encyclopedia MDPI, For owners of the BMW 3' E46, we have collected all quality auto parts in one place. Choose the part by searching by part number and get fast delivery! encyclopedia pub/entry/32664#:~:text=In 1993%2C the development programme,Bangle and continued into 1995

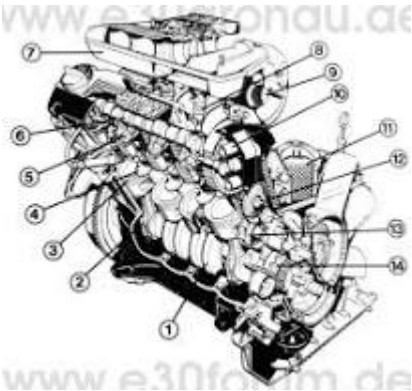


Figure Bmw e46 316i engine diagram

BMW Compact - Simple English Wikipedia, the free encyclopedia, Get the complete wiring diagram for the engine and control system of your BMW E46 M3 stereo. All components are labeled for easy ... simple wikipedia org/wiki/BMW_Compact#:~:text=The BMW Compact is an,the 1 Series in 2004

2002 BMW 330Ci E46 Review | Modern classic - YouTube, Unlike most hatchback competitors which were transverse engine front-wheel drive, the 3 Series Compact uses the longitudinal engine rear-wheel drive layout. BMW ... m youtube com/watch?v=J_zXHR6yk9Y

Engine parts 318i Saloon E46, 16 Feb 2011 — Im looking for a diagram for the water bottle seals and how you go about fitting them onto a 99' 318i e46, Also would like to enquire full specs ... hubauer-shop de/en/carparts/3er-parts-catalog/limousine/al31-e46-m43/318i-saloon-engine-al31/

BMW Parts Catalog 3' E46, BMW parts E46 318i M43 Diagram Selection | JJ38685 bmw vin decoder online. ... Engine, 4.00l (M43TU). Final drive, 0.90l. Antifreeze(with AC), 6.00l. Antifreeze ... partsouq com/en/catalog/genuine/pick?c=BMW&model=3%27+E46&ssd=%24%2AKwHSi_eY1wAAAAAKuMwW%24

Bmw e46 engine diagram pdf, 3 Apr 2024 — See all generations of the BMW 3 Series Sedan: discover information about every model year and check out what was changed. id pinterest com/pin/599119556678303761/

BMW 3 Series Compact, BMW 318i E46 Sedan Thailand N42 · Right-hand drive, Transmission: Neutral · Short Engine · Engine block · Engine Block Mounting Parts · Oil pan/oil level indicator ... en wikipedia org/wiki/BMW_3_Series_Compact

diagrams and specs for a 99' 318i e46, bmwfanatics co za/threads/diagrams-and-specs-for-a-99-318i-e46 16561/

318i M43 M43 BMW parts diagram E46 Saloon ECE, bimmercat com/bmw/en/search/vin_search/JJ38685

BMW 3 Series Sedan Generations: All Model Years, carbuzz com/cars/bmw/3-series/generations/

Engine | BMW 3' E46 318i N42 Thailand, http://bmwfans info/parts-catalog/E46-Sedan/Thailand/318i-N42/browse/engine/

BMW 318i E46 2007 Timing Chain Diagram, youtube com/watch?v=2bL_-vLDEOc